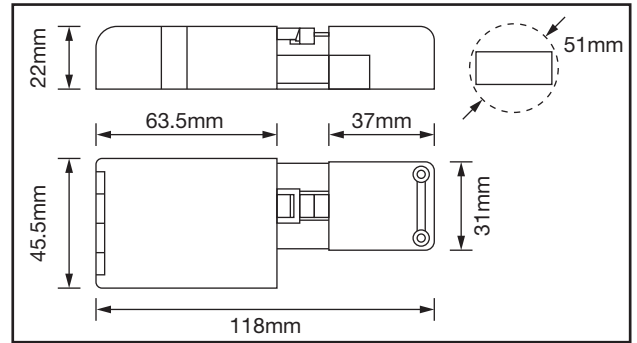
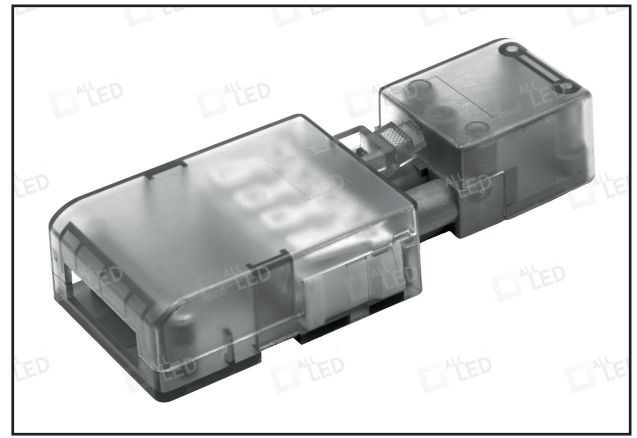


AC3P/PT

3 Pole Male & Female 16A Connector

PRODUCT FEATURES

- 450V/16A Max 3 Pole Quick-Fit Connector
- Female Connector Features Push Terminal & Loop Terminal
- Large Terminals For Easy Access Wiring
- Cable Size: 2 x 2.5mm² (Female) 1 x 1.5mm² (Male)
- Translucent Design For Easy Cable Inspection



TECHNICAL SPECIFICATIONS

PRODUCT CODE	AC3P/PT
Voltage Rating	450V
Current Rating	16A
Ingress Protection	IP20
Body Material	Polycarbonate
Colour	Grey
Operating Temperature (°C)	+5°C to +40°C
Termination Layout (Male)	N - E - L
Termination Layout (Female)	L - E - N - Loop
Terminal Conductor Sizes	"Female - 2 x 2.5mm ² T&E/ 1.5mm ² Flex Male - 1 x 1.5mm ² T&E/Flex"
Cable Restraint Supplied	Both Male And Female
Guarantee	10 Year Guarantee

